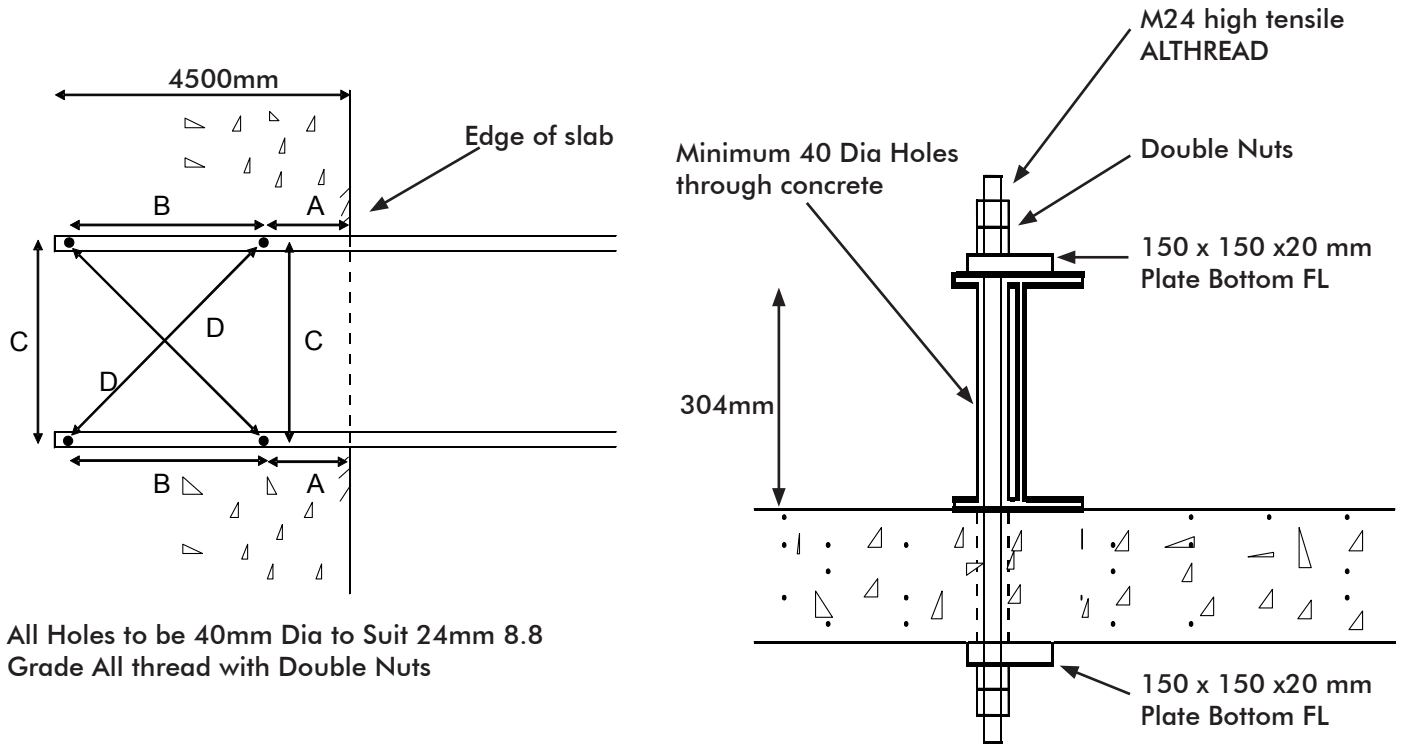


Location of Bolt Down Holes



All Holes to be 40mm Dia to Suit 24mm 8.8 Grade All thread with Double Nuts

Location of Bolt Down Holes for Superdecks

Distance from edge of Slab and Between Centres of Holes

	A	B	C	D
4.2 metre Superdeck	1.240	2.930	4.075	5.020
3.2 metre Superdeck	1.240	2.930	3.070	4.243
2.7 metre Superdeck	1.240	2.930	2.575	3.900
2.2 metre Superdeck	1.240	2.930	2.080	3.595

Location of Bolt Down Holes for Fixed Platforms

Distance from edge of Slab and Between Centres of Holes

	A	B	C	D
4.2 metre Fixed Platform	1.225	2.930	4.100	5.040
3.2 metre Fixed Platform	1.180	2.930	3.065	4.240
2.7 metre Fixed Platform	1.240	2.950	2.575	3.915
2.2 metre Fixed Platform	Platform Specific *	Platform Specific *	Platform Specific *	Platform Specific *

* Available upon request