

- 1.72t
- 5.5 Boom
- Searcher Hook

- Rubber Tracks
- Super Slim Body Width (590mm)

- Load Moment Indicator System
- Remote Control (Optional)

The Maeda MC174C sets the standard that other mini cranes try to achieve. Its super slim width of 590mm coupled with its 1.72t lifting capacity and a maximum boom of 5.5m and light weight of only 1290kg make it absolutely unparalleled. This fantastic machine retains all of its other benefits of the machines in the Preston Hire range including a remote control and unrivalled build quality and useability. Consider the possibilities...

SPECIFICATIONS

MAEDA MC174C

DIMENSIONS

Length	2000mm
Width	590mm
Height	1300mm
Weight	1290kg

CAPACITY

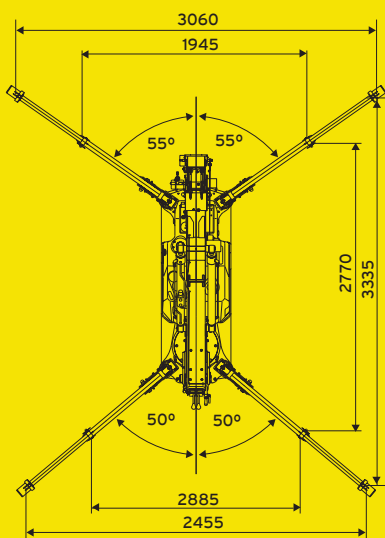
Max. capacity	1720kg at 1.0m
Max. working radius (main boom)	220kg at 5.17m
Max. working radius (fly jib)	N/A
Max. lifting height (main boom)	5.5m
Max. lifting height (fly jib)	N/A

TRACK

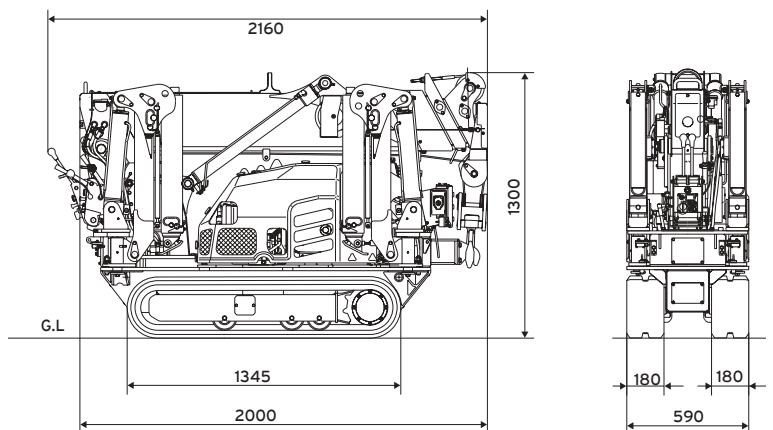
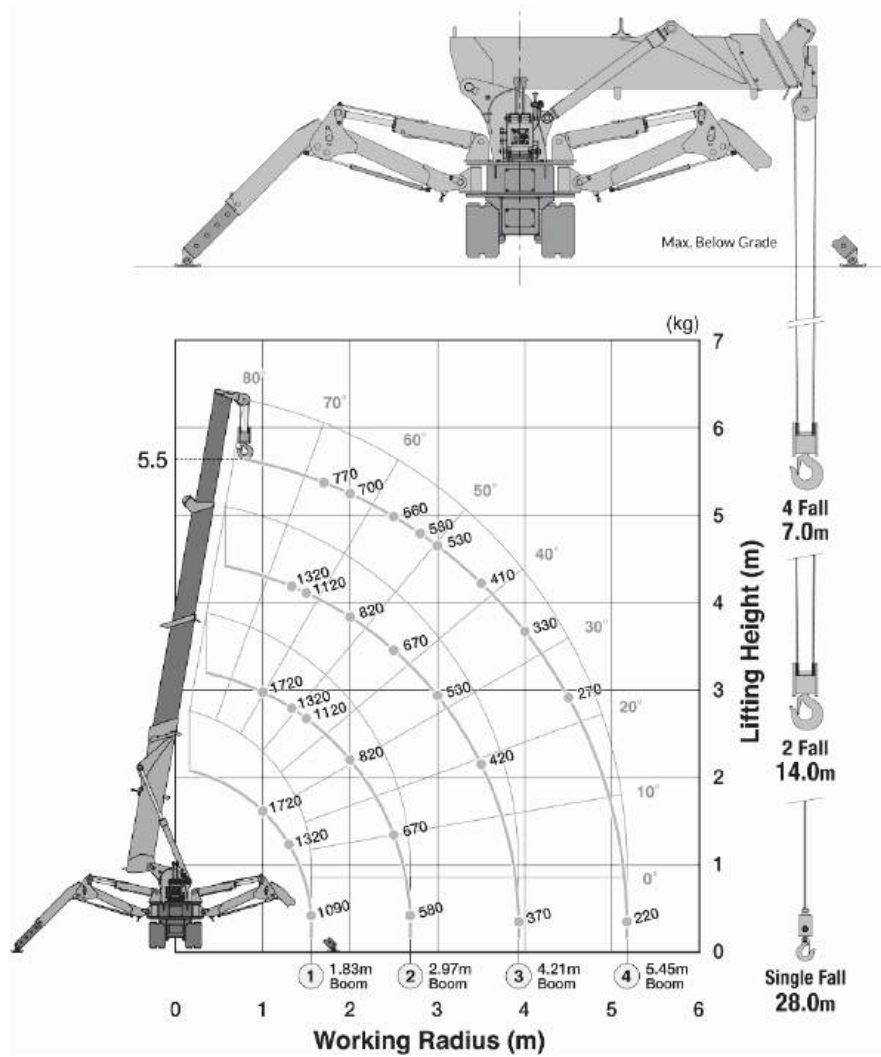
Width	180mm
-------	-------

MIN. TRANSPORT WIDTH

Overall Track	590mm
Overall Unit	590mm



WORKING RANGE



COUNT ON US

1800 440 550 | prestonhire.com.au

LOAD CHART

MAEDA MC174C

LOAD CHART

4 Falls

TOTAL RATED LOAD - OUTRIGGERS AT MAXIMUM POSITION

1.83m Boom		2.97m Boom		4.21m Boom		5.45m Boom	
Working Radius (m)	Total Rated Load (kg)	Working Radius (m)	Total Rated Load (kg)	Working Radius (m)	Total Rated Load (kg)	Working Radius (m)	Total Rated Load (kg)
<1.0	1720	<1.0	1720	<1.3	1320	<1.7	770
1.3	1320	1.3	1320	1.5	1120	2.0	700
1.55	1090	1.5	1120	2.0	820	2.5	660
		2.0	820	2.5	670	2.8	580
		2.5	670	3.0	530	3.0	530
		2.69	580	3.5	420	3.5	410
				3.93	370	4.0	330
						4.5	270
						5.17	220

TOTAL RATED LOAD - OUTRIGGERS AT SECONDARY POSITION

1.83m Boom		2.97m Boom		4.21m Boom		5.45m Boom	
Working Radius (m)	Total Rated Load (kg)	Working Radius (m)	Total Rated Load (kg)	Working Radius (m)	Total Rated Load (kg)	Working Radius (m)	Total Rated Load (kg)
<1.0	1220	<1.0	1220	<1.3	940	<1.7	720
1.3	940	1.3	940	1.5	810	2.0	600
1.55	790	1.5	810	2.0	600	2.5	390
		2.0	600	2.5	390	2.8	330
		2.5	390	3.0	300	3.0	300
		2.69	310	3.5	220	3.5	220
				3.93	180	4.0	180
						4.5	140
						5.17	100

The total rated load charts are based on the actual working radius including boom deflection.



COUNT ON US

Disclaimer : All information provided in this publication is correct at time of printing. Please contact Preston Hire for any updated versions.

1800 440 550 | prestonhire.com.au



SPECIALISED EQUIPMENT HIRE SOLUTIONS

Branch Locations

NSW/ACT

25-39 Chadderton Street,
Cabramatta NSW 2166
nswsales@prestonhire.com.au

NSW

56 Sandringham Place,
Thornton, NSW, 2322
nswsales@prestonhire.com.au

QLD

83 Parramatta Road,
Underwood, QLD 4119
qldsales@prestonhire.com.au

VIC/TAS

38 Sunline Dr,
Truganina, VIC 3029
vicsales@prestonhire.com.au

WA/NT

Unit 2,8 Hunt Street,
Malaga, WA 6090
wasales@prestonhire.com.au

SA

102 Cormack Road,
Wingfield, SA 5013
sasales@prestonhire.com.au

**Preston Hire available across Oceania*



COUNT ON US

1800 440 550 | prestonhire.com.au