

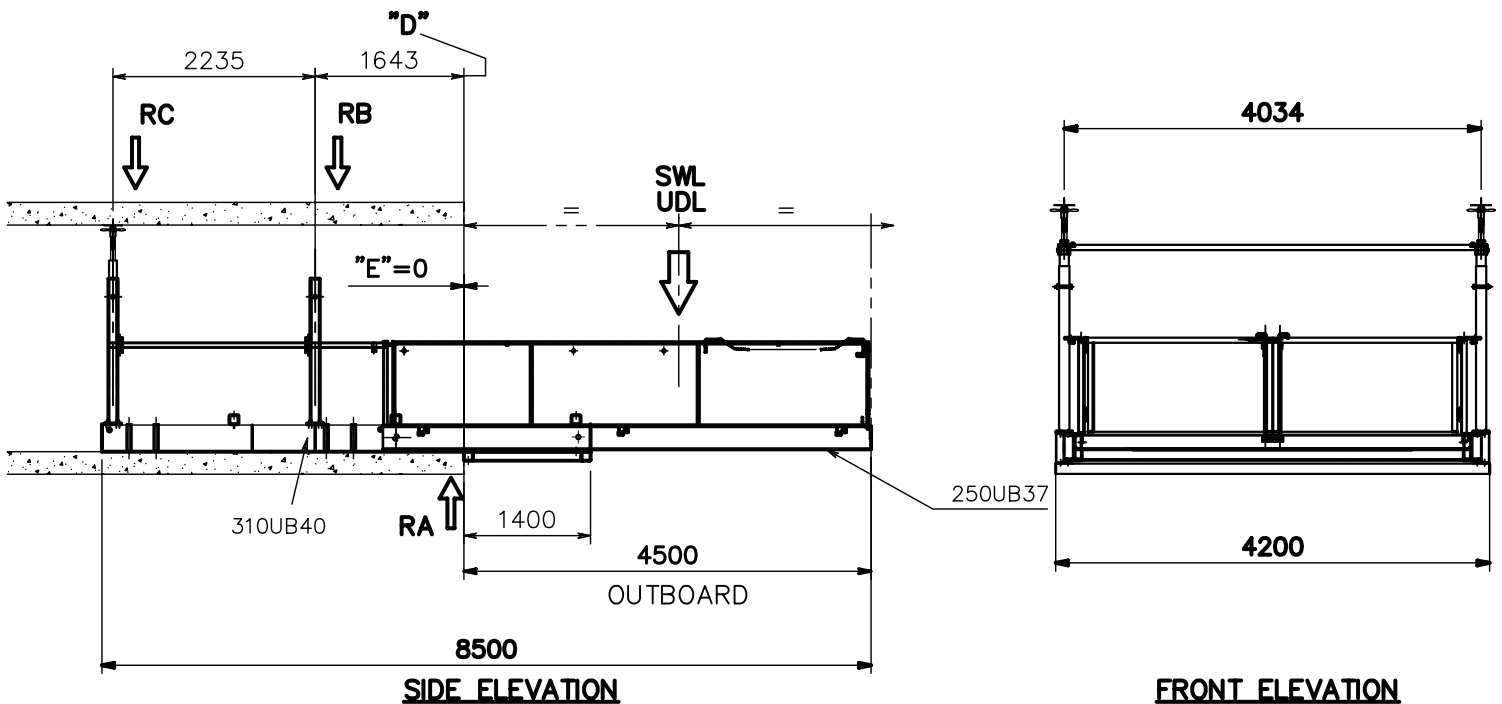
**PROP REACTIONS**

LOAD/REACTION	4500mm Outboard	4750mm Outboard	5000mm Outboard	5250mm Outboard
SWL-UDL (kg)	5000	4000	3200	2500
RA* (t)	6.3	5.9	5.6	5.3
RB* (t)	N/A	N/A	N/A	N/A
RC* (t)	2.4	2.4	2.5	2.6
Deflections at outer wheel (mm)	10	12	14	15
Deflections at free end (mm)	47	48	49	50

OUTBOARD	4500mm Outboard	4750mm Outboard	5000mm Outboard	5250mm Outboard
E = (Distance from slab edge to back end of H frame) (mm)	0	250	500	750
D = (Distance from centre line of inner prop to slab edge) (mm)	1643	1393	1143	893

DIMENSIONS		
Length	8500mm	Width 4200mm
Height	1202mm	

TARE	
Weight	3500kg



\*Reactions on each side of the platform.  
Assumed load always centre both ways on the outboard of the platform. All loads are static loads i.e. no load factors applied. Horizontal forces not taken into account. Reactions provided based on rigid supports i.e. effects on deflections of supporting slabs not factored into design.

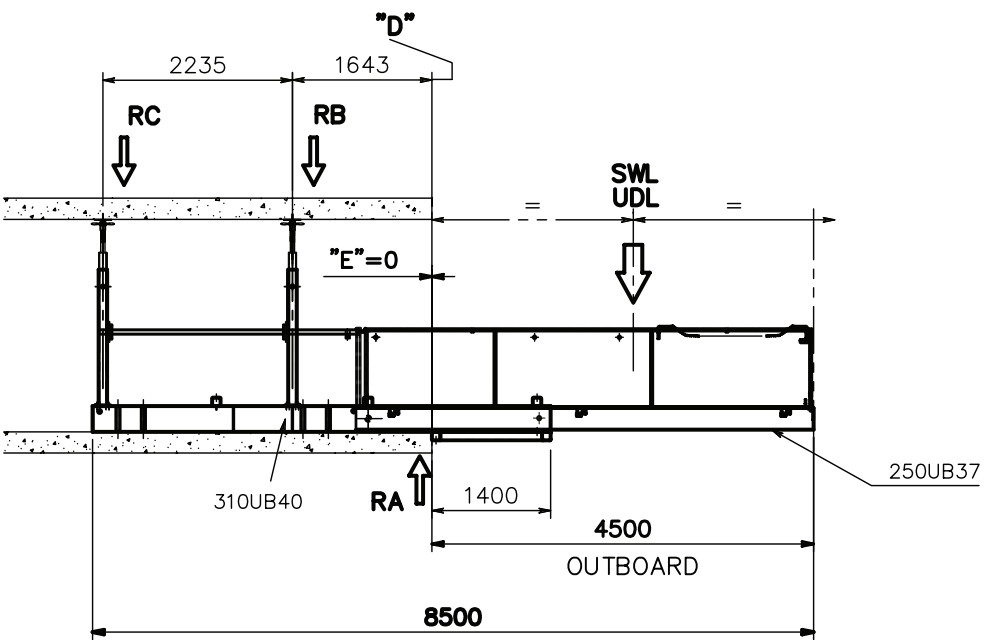
**PROP REACTIONS**

LOAD/REACTION	4500mm Outboard	4750mm Outboard	5000mm Outboard	5250mm Outboard
SWL-UDL (kg)	5000	4000	3200	2500
RA* (t)	10.6	10.9	11.8	13.3
RB* (t)	7.0	7.8	8.9	10.5
RC* (t)	-0.4	-0.3	-0.1	0.1
Deflections at outer wheel (mm)	△6	△7	△8	△10
Deflections at free end (mm)	△32	△32	△33	△35

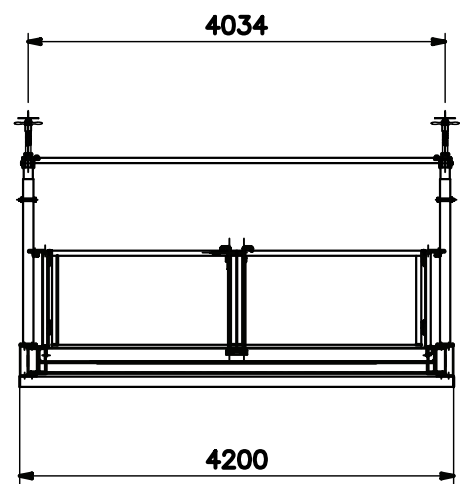
OUTBOARD	4500mm Outboard	4750mm Outboard	5000mm Outboard	5250mm Outboard
E = (Distance from slab edge to back end of H frame) (mm)	0	250	500	750
D = (Distance from centre line of inner prop to slab edge) (mm)	1643	1393	1143	893

DIMENSIONS		
Length	8500mm	Width 4200mm
Height	1202mm	

TARE	
Weight	3500kg



**SIDE ELEVATION**



**FRONT ELEVATION**

\*Reactions on each side of the platform.  
Assumed load always centre both ways on the outboard of the platform. All loads are static loads i.e. no load factors applied. Horizontal forced not taken into account. Reactions provided based on rigid supports i.e. effects on deflections of supporting slabs not factored into design.

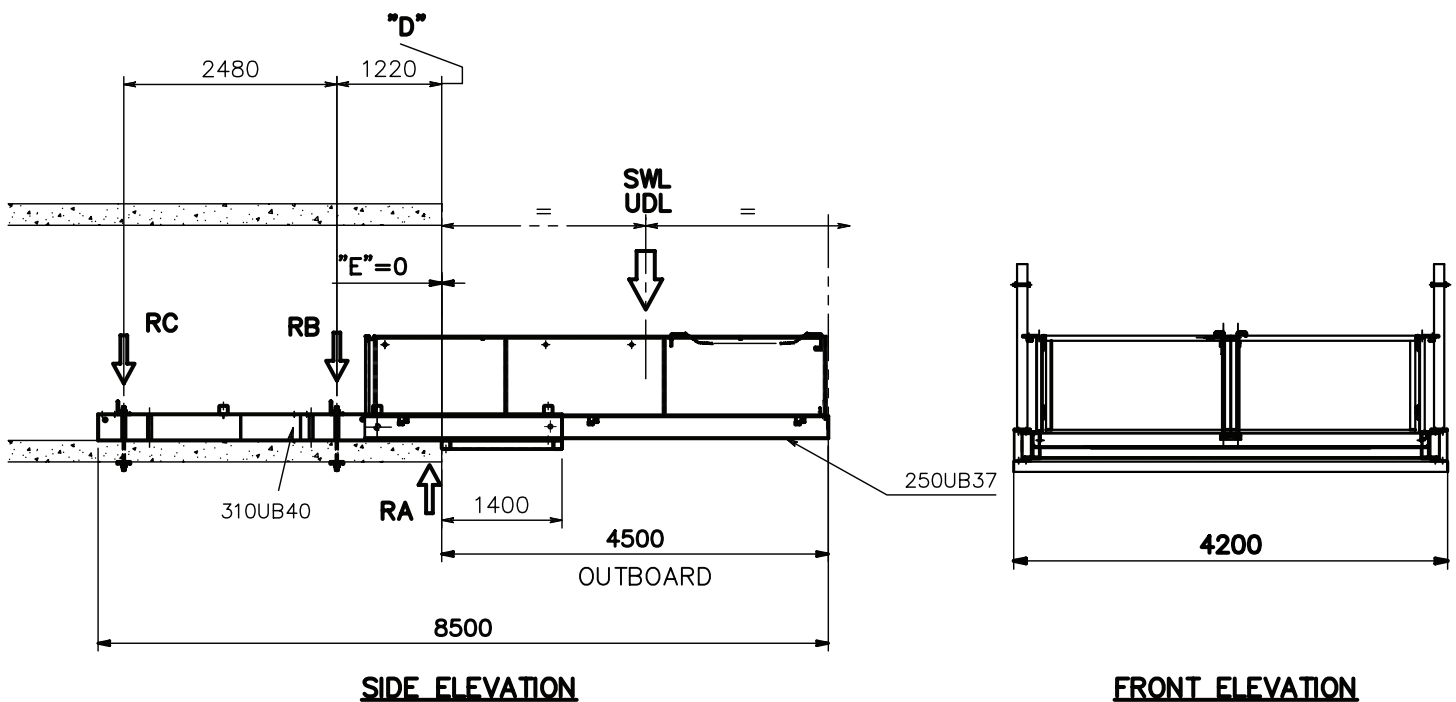
**BOLTDOWN REACTIONS**

LOAD/REACTION	4500mm Outboard	4750mm Outboard	5000mm Outboard	5250mm Outboard
SWL-UDL (kg)	5000	4000	3200	2500
RA* (t)	10.8	11.2	12.1	13.7
RB* (t)	7.4	8.1	9.2	10.8
RC* (t)	-0.5	-0.3	-0.1	2.5
Deflections at outer wheel (mm)	△6	△7	△8	△9
Deflections at free end (mm)	△31	△32	△33	△35

OUTBOARD	4500mm Outboard	4750mm Outboard	5000mm Outboard	5250mm Outboard
E = (Distance from slab edge to back end of H frame) (mm)	0	250	500	750
D = (Distance from centre line of inner prop to slab edge) (mm)	1220	970	720	470

DIMENSIONS			
Length	8500mm	Width	4200mm
Height	1202mm		

TARE	
Weight	3500kg



\*Reactions on each side of the platform.  
Assumed load always centre both ways on the outboard of the platform. All loads are static loads i.e. no load factors applied. Horizontal forces not taken into account. Reactions provided based on rigid supports i.e. effects on deflections of supporting slabs not factored into design.



## SPECIALISED EQUIPMENT HIRE SOLUTIONS

### Branch Locations

#### NSW/ACT

Unit 2, 4 Dupas Street,  
Smithfield, NSW 2164  
nswsales@prestonhire.com.au

#### NSW

56 Sandringham Place,  
Thornton, NSW, 2322  
nswsales@prestonhire.com.au

#### QLD

83 Parramatta Road,  
Underwood, QLD 4119  
qldsales@prestonhire.com.au

#### VIC/TAS

38 Sunline Dr,  
Truganina, VIC 3029  
vicsales@prestonhire.com.au

#### WA/NT

Unit 2,8 Hunt Street,  
Malaga, WA 6090  
wasales@prestonhire.com.au

#### SA

102 Cormack Road,  
Wingfield, SA 5013  
sasales@prestonhire.com.au

*\*Preston Hire available across Oceania*



COUNT ON US

1800 440 550 | [prestonhire.com.au](http://prestonhire.com.au)